

**MARCH 2006**

NERG Inc.  
PO Box 270  
Greensborough  
Victoria 3088  
[news@nerg.asn.au](mailto:news@nerg.asn.au)

### WHAT'S ON IN MARCH

#### Meeting Thursday March 9, 2006:

We have the honour of a visit by Banyule Mayor Wayne Philips to discuss the proposed "NERG" extensions to the Briar Hill Hall. He will arrive at 7:30pm and can only stay for half an hour due to other commitments, **so please be early and show your support for the building works that will ultimately benefit us all.**

The ARISS contact with the Briar Hill Primary students has been deferred until late March due to work schedules aboard the space station, which gives us a chance at this meeting to present some slides and videos from ARISS, and explain how the linkup will be achieved on the contact night.

There is also likely to be some last minute preparations for the upcoming John Moyle Field Day contest (18/19 March). Just a few weeks away now, the NERG plans are well advanced to operate an even better station this year from the usual Northern end of Mount Macedon, at the end of Lion's Head Road (past Sanatorium Lake).

Hope to see you at the meeting! Visitors welcome.

Mark Harrison, VK3BYY, NERG NEWS Editor

**The next regular monthly meeting is on Thursday 9<sup>th</sup> March starting 7:45pm at the Briar Hill Community Hall, 126 Mountain View Rd, Briar Hill, Melways 21 C3.**

### EARLY APRIL MEETING

Note the April NERG meeting has been bough forward to **Thursday 6<sup>rd</sup> April** to avoid Easter holidays.

### DÉJÀ VU – RECENT MEETINGS

NERG member Stephen Warrillow VK3SN presented another great slide show of his ski trip across the High Plains at our February NERG meeting. The scenery in this part of the world is fantastic! Apparently there is NO interference in this part of the world, making it ideal for QRP contacts. Ice forming on the antenna and snow covering the solar array were minor irritants, but as they say, you can't have everything!

Stephen also talked about emergency medicine, with some very graphic slides demonstrating some of the nastier things humans can do to themselves and one another. It was a good incentive to stay away from high voltages and lightning – the treatment for internal burns looks particularly painful...

# NERG NEWS

Incorporated 1985 in Victoria  
Reg No A0006776V - <http://nerg.asn.au>

**NEXT MEETING:**  
**Thursday 9<sup>th</sup> March 2006**

**Banyule Mayor  
Wayne Philips  
visiting NERG to discuss  
Hall Extension  
7:30 PM - please be early!**

**Briar Hill Primary School Space  
Station contact delayed until late  
March**

### SPACE STATION CONTACT DELAYED

NASA has advised that we cannot make the ARISS contact between the Briar Hill Primary School pupils and the Astronauts on Wednesday March 8 as previously planned. This is due to higher priority work commitments to be performed at this time.



New contact schedules with options starting March 27 have been offered with our first choice being Wednesday March 29 at 7:13 PM local time, however we must wait for NASA confirmation. NERGs will be advised of the confirmed date via email and a note will be posted on the NERG web site.

It is interesting to note that Australian and New Zealand schoolchildren are the only ones throughout the world that the astronauts will break into their working time to make contact. In all other cases the contacts are made in the Astronauts own free time in their "evening".

In addition to the enthusiastic students, parents, and teachers present for the contact, print and TV journalists will be there to record the event. An amateur video or two will also record the event for use in education and the promotion of amateur radio.

### THE GAINFULLY UNEMPLOYED GROUP

The first meeting of the Gainfully Unemployed group for 2006 was held at the home of Ernie, VK3FM, and Jan. The usual high quality and large volume food was served, along many teas and cappuccinos. The topical subjects were turned inside outside to various delight. Those present were Ian, VK3BGE, Dave, VK3JMB, Jim, VK3KE, Ted, soon to be F call, Greg VK3VT, George, VK3GFW, and Ian VK3XIJ.

The next meeting will be at the QTH of Dave, VK3JMB and Carole, at 10:00am on the 28th March.

Cheers and good DX, hi hi, Jim VK3KE

Listen out on the NERG chat channel on 146.575 MHz during the day for directions and DX updates.

## STUDENTS COUNTING DOWN TO SPACE STATION CONTACT

Greg VK3VT has been busy teaching the students at Briar Hill Primary about the Space Station, and has been giving some coaching on the use of a microphone in preparation for the Amateur Radio on the International Space Station contact. The actual contact will last less than 10 minutes in which time between 14 and 20 pupils will be given the chance to each ask a question of the Astronauts.

Orbit paths and other time constraints prevent us from contacting ISS directly. Instead we will use a "telebridge" telephone link to a suitably placed ARISS amateur ground station, which then uses amateur radio to complete the link to the space station.

This event is being co-ordinated by Don VK3KDT at the NERG end with Tony VK5ZAI, our Australian ARISS Co-ordinator, organising things with ARISS, NASA, and the ISS crew.



Tony is located in Kingston, South Australia and operates an impressive earth station for ARISS. His is one of the nine amateur earth stations regularly used around the world to maintain contact with ISS and is the one most likely to be used for our contact.

## SUITSAT OVERBOARD!

SuitSat, officially designated SuitSat-1/Radioskaf/AO-54, turned out to be a disappointment for many amateurs and school students around the world. Shortly after "launch" from the International Space Station, the suit's transmitter or antenna developed a fault, which resulted in very few people hearing its transmissions. Those that did hear it often needed to use high gain antennas with low noise mast head amplifiers. Even then they generally only heard snippets of the messages.

SuitSat finally fell silent on Saturday 18<sup>th</sup> Feb after 2 weeks of operation – lasting far longer than the original 4-9 day estimate.

Nevertheless, not all is lost – AMSAT, developers of the project, say they learnt a lot from the project and are looking forward to having another go. Many receiving stations are now also better off having taken up the challenge of receiving the weak signals by building better equipment and now have more capable stations ready for SuitSat-2.

## SILENT KEY – ALAN MARR

Sadly, Alan Marr, VK3JPK, passed away on Sunday 19<sup>th</sup> Feb. Many NERG's will remember Alan as a keen member of the NERG "gainfully unemployed group" and host of several Tuesday morning tea/lunch sessions at his QTH with the help of his wife Wendy.

Alan was well known for his interest in valve transmitters, having collected, restored and built several fine examples. Alan was also a regular on the morning 160 metre net.

The funeral was very well attended with several NERG's present including Jim VK3KE, Ian VK3BGE, Betsy VK3HBK and Steve VK3JSE. There were seven guys from the 160m Coffee group including Drew VK3XU, John VK3JO, John VK3ACA, Dallas, Ray, and associates.

Our condolences go to Alan's family on behalf of all NERG's.

## COMMS FOR OXFAM TRAIL WALKERS

500 teams of 4 walkers each will again race through the Yarra ranges in this year's Oxfam Trail Walk. The trail runs from Jell's Park (Wheeler's Hill) to Mount Donna Buang, running from Friday 7<sup>th</sup> April through to Sunday 9<sup>th</sup>. The trail covers a distance of 100km and climbs 1,200 m in altitude (rising 1,000m in the last 8 km of the trail!).

Leading teams are expected to finish well before some of the slower teams have even left the start gate! Last year the Queen's Ghurkha Signals team finished the 100km event in just 12 hours and 39 minutes – more than an hour in front of the second and third place teams. Slower teams are allowed up to 48 hours to complete the task.

WICEN provides important emergency and logistics communications for the event, using HF, VHF and UHF radio links. Organisers have found in previous years that mobile phone services just can't cope with the huge influx of competitors and their support teams, making WICEN a vital communications link. WICEN sets up stations at each of the seven check points as well as the start and finish points.

Each team of walkers is committed to raising at least \$1,000 which should raise over a half million dollars for Oxfam Australia's fight against poverty and injustice in more than 26 countries around the world.

For more info: <http://www.oxfam.org.au/trailwalker>

Simon Griffith VK3ZNT is running the WICEN activities. If you can assist, contact him on ph: 9737 1807

## FOUNDATION OPS USING CROSSBAND REPEATERS & IRLP?

The recent appearance of Foundation licensees on some cross-band repeaters and IRLP links raises the question of the legality of these operations.

At least one concerned VK3 foundation operator recently asked for a clarification from the ACMA and was apparently told by an ACMA representative that working into VK3RHF on 10m and being rebroadcast on 6m and 23cm is OK.

However amateur regulations and other documents on the ACMA web site make it quite clear that "Amateurs may only gain access to repeaters that have input and output frequencies within bands authorised under the amateur's own licence", and in the case of Internet linked repeaters, "AILS must not be used to extend, in Australia or overseas, the access privileges of any amateur".

In other words, you must check what output frequencies are being used by cross-band repeaters or IRLP nodes before you activate a link.

Indeed, repeater licence conditions require owners of cross-band repeaters to use an access method to prevent Foundation licensees accidentally activating links they are not licensed for, usually using a CTCSS access tone. A non-standard tone is often chosen to avoid confusion with repeaters that use tones to minimise LIPD interference. Generally if you find a repeater that requires an access tone other than 123Hz or 91.5Hz then foundation operators probably shouldn't use it.

Determining the output of remote IRLP nodes is more difficult. The output could be in a band not covered by Australian licences. For instance there are nodes in the USA and Canada that output in the 220MHz and 920MHz North American amateur bands. The country also needs to have reciprocal privileges with Australia – something many countries do not have at present (a situation currently being reviewed by the ACMA). You should check the node list available on the internet at [www.irlp.net](http://www.irlp.net)

Since licensees of Australian amateur repeaters and IRLP nodes are responsible for all transmissions through their station, it is entirely within their rights to block illegal user of their links if they think they are operating outside the regulations. This also applies with stations in overseas countries, including third party traffic which may be permitted only if there is an agreement between Australia and the country involved. Third party traffic is discussed in more detail in the information paper on the ACMA website.

The ACMA publishes a fact sheet on the subject of regulatory requirements applying to AILS (Amateur Internet Linking System) – do a search for "AILS" on the ACMA web for more info.

## THE NERG JOHN MOYLE STATION

A dozen or so NERGs plan to operate the club call VK3CNE as a 24-hour, multi-operator, all band, all mode station. They'll be located on the northern peak of Mt Macedon, at the end of Lion's Head Road  
Location: Lat: 37° 22' 6"S; Long: 144° 36' 42"E;  
Maidenhead Grid: QF22HP (see directions below).

A group of tents, caravans, and camper-trailers serves as the station. This year they'll be close to one another so we can arrange QSO's with other stations with operators on other bands.

Various masts, towers and wire antennas are spread around the tent city with 'armstrong' rotated masts close to the respective operators.

We aim to have operators working on every active band. Some HF operators will look after several bands because they don't all become active at the same time of day.

We will have an operator on each VHF & UHF band, usually with two rigs each – one for SSB with a high gain horizontal Yagi, and one for FM with a vertical. This way we can monitor both modes when things are quiet and avoid missing DX stations when they appear.

The contest should start at mid-day on Saturday 18<sup>th</sup> in 3 hour blocks. Activity often gets busy around the start and end of each 3 hour block so if you want a chat, call us half way through a block when it's quiet. Blocks run: Midday-3pm; 3pm-6pm; 6pm-9pm; 9pm-midnight; midnight-3am; 3am-6am; 6am-9am; 9am-midday.

The full contest rules are available from the WIA web site [www.wia.org.au/contests](http://www.wia.org.au/contests) and appeared in the Jan/Feb 2006 edition of Amateur Radio magazine.

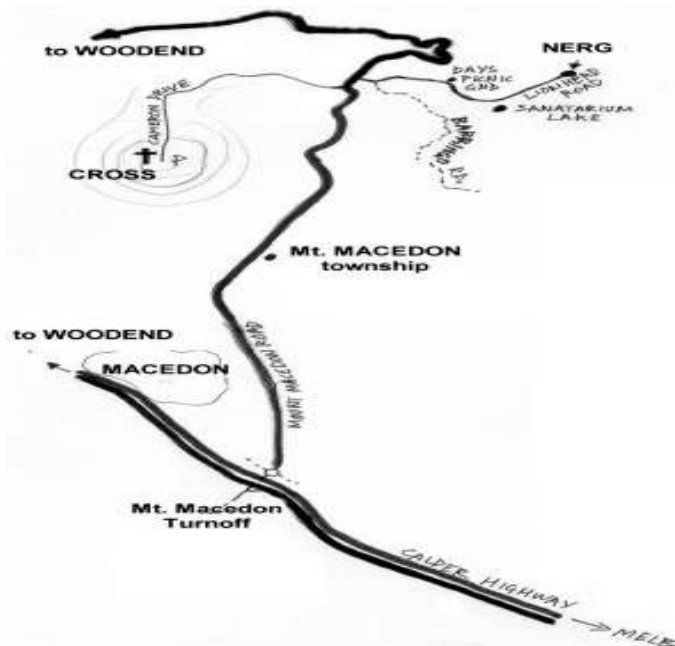
The only change from last year's rules appears to be the contest manager's address, [jmfd2006@wia.org.au](mailto:jmfd2006@wia.org.au), and the contest date.

## TRAVELING TO THE NERG STATION

**The NERG station for the John Moyle Field Day on Mount Macedon will be located at the end of Lions Head Road.**

The quickest way to the hill from Greensborough is to take the Western Ring Road west to the **Calder Highway**. The turnoff is the next after the Melrose drive exit. Follow the Calder past Sunbury.

Turn off towards **Mount Macedon** (the township and mountain) before reaching Macedon (a different town without Mount in its name!). The Mt Macedon turnoff leaves the highway from the left, and then turns right to pass under the freeway. Continue through the roundabout and on to the township of Mount Macedon (stop here if a lot of amateurs seem to be having an early coffee break at the general store!). **Travel up the steep hill** from the township to the Y-intersection (which leads left to the cross and veers right to Camel's Hump and Woodend). **Veer right** here but look out for a dirt road on the **right** about 100m from the Y-intersection. Turn Right into the dirt road, and then turn **Left** almost immediately to follow Lions Head Road **past the Days Picnic Ground & past Sanatorium Lake** to the very end of the dirt road - that's where we'll be!



## BEGINNERS – HAVE A GO AT THE JOHN MOYLE FIELD DAY

Field day contests are a great way to practice portable operations and have a lot of fun. Some amateurs go in them for the competition while others use contests to gauge the effectiveness of their station or to attempt new distance records.

However you don't need to go portable or even leave home to participate! You will find operating as a home station is very much appreciated by the portable stations – in fact it would be very dull without home stations since there are far fewer field stations. It's not necessary to submit a log to join in, however it is in the spirit of the contest and you'll get your callsign published in AR if you do!

The rules are fairly simple for home and single operator stations. It helps if you know your maidenhead grid (QF) location of Latitude/Longitude, and it's essential to keep track of the sequential QSL numbers given out. Duplicate numbers must be avoided as it makes both QSO's void.

Perhaps you don't have the equipment or experience to try out contesting by yourself? The simple solution is to join the NERG team on Mount Macedon. We can always use a few extra operators, and we'll provide some training as you go. For a small cost we'll even feed you if you let us know when you are coming!

## JOHN MOYLE FIELD DAY - GETTING ORGANISED!

Field day operations may seem a bit daunting to the novice but shouldn't be if you are well prepared.

So, what do you need to take? Where should you go? What do you do when we get there?

First thing is to get organised. Make a list of required items, and remember to tick the items off the list as you load the vehicles:

- (a) People - At least one License operator - the rest can run under the same callsign!
  - (b) Power - A 240V Generator is essential for high power HF, but running off 12V lead-acid (car batteries) or even handhelds is feasible.
  - (c) Antennas - Big towers and beams are nice for DX and for reducing QRM. Wire antennas may be more practical on HF and are much easier to transport. Omni-directional VHF antennas let you hear what's happening around you while beams help claim distance multiplier points.
  - (d) Coax, power cables, connectors, adaptors, power boards - The most often overlooked items. Take lots of coax so everyone can operate from a common area but keep the antennas well apart. Make sure everyone can connect to the power source (with the right polarity).
  - (e) Radios, microphones & headphones - Don't forget these! You can forget (b), (c), & (d), but don't forget the radios (or at least take a backup handheld!).
  - (f) Shelter - Be prepared for Sun, Heat, Rain, Cold, and especially WIND. Experience shows that Gale force winds should be expected - take good quality tents, guy ropes, and tent pegs. Be prepared to retreat to cars for shelter.
  - (g) Food and drink - This is supposed to be a fun event so take lots of good food and drink - especially clean water and appropriate storage/cooking facilities. A dedicated cook can feed operators while they work and is essential for a competitive team.
  - (h) Maps - handy to get to the Field Day site (but not essential - just look for a clear hill!). Also handy to find out where your DX friends and local competition are located!
  - (i) Repair gear - you can never take too much. VSWR and a multi-meter are a must as are an axe, saw & cordless drill. Take two sets of tools to erect antennas as one set will always get lost in the long grass.
  - (j) Clocks, pens, paper – all essential for log keeping. A small 12 volt table lamp or LED headlamp is useful for operating in the dark.
- That's about it – I'm sure I've forgotten something...I'm sure to remember it when I get to the top of the hill ☺

## CONTEST LOGGING SOFTWARE

Mike Subocz VK3AVV is offering his free VK Contest Log (VKCL) program for download. He developed this program after searching for a logging program for the Remembrance Day contest a few years ago and could not find anything really suitable, at least among the logging programs that were free.

The program is reasonably modular so that the peculiarities of each contest can be provided for without upsetting other contests handled by the program. Local contests currently implemented are Remembrance Day, John Moyle, UHF-VHF field days, VK/trans Tasman, and ALARA contests, and a few international contests like Oceania DX and CQ World Wide DX & WPX, ARRL International DX, IARU World HF Championships, Japan International DX, and Russian DX contests. The program is suitable for both single and multiple operator stations.

The latest version (1.14) is available from:  
<http://web.aanet.com.au/mnds/vkcl.htm>

## FRIDAY NIGHT HUNTS

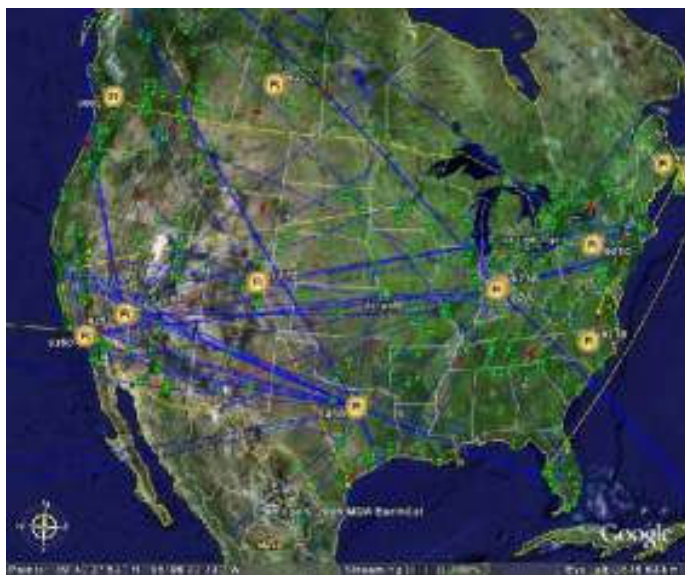
The next Friday night mobile fox hunt is on Friday 24<sup>th</sup> March and will be run by the VK3VT team. For more news see:

<http://www.melbfox.com/>  
and: <http://lists.id.oz.au/wws/info/melb-fox>

## VIEW IRLP NODES ON GOOGLE EARTH

Some nifty software developed by David McAnally KF7FLY and Dave Cameron VE7LTD turns Google Earth into a real time display of activity between IRLP nodes around the globe.

IRLP nodes appear as small green dots with their associated node number. Yellow lines are drawn between nodes to indicate active links, and blue lines indicate links to reflectors. Link information is updated automatically every two minutes



Clicking on a green dot will bring up a display of the node information including owner/operator, frequencies and CTCSS access tones (if any).

The display works by downloading a KML "placemarks" file from a KML network server at regular intervals.

If you already have Google Earth installed, follow this link to install the IRLP placemarks:

<http://www.irlp.net/setup-irlp.kml>

If you haven't used Google Earth before, download the free software from Google at <http://earth.google.com/> – it's a fantastic program for anyone interested in satellite and aerial photography, mapping, or simply wanting to tour the globe from the armchair.

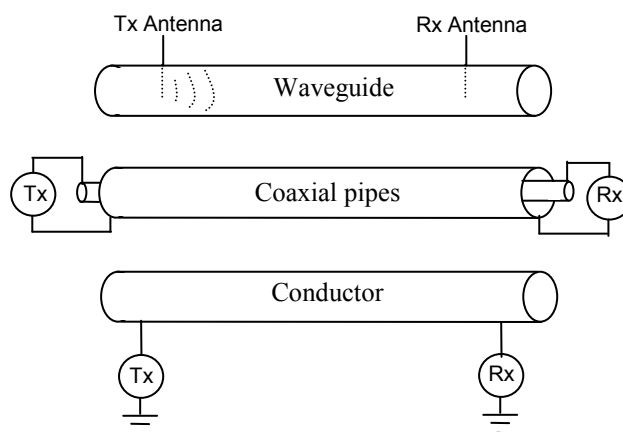
Although a modem connection to the internet may suffice, a high speed broadband is certainly an advantage with Google Earth. You may want to set the node update rate less frequent if your Internet account has a download limit – Google Earth can be fairly heavy on Internet downloads!

## BGP - BROADBAND OVER GAS PIPES

*No – it's not April 1<sup>st</sup> (yet!)*

A San Diego company Nethercomm really does plan to deliver high speed Internet, TV and phone services via the existing network of gas pipes that feed customers premises. The company claims it will be able to deliver 100 megabits per second to every home – much better than either ADSL or BPL competitors!

The idea is not entirely new – long distance (30") pipeline owners tested the idea long ago to provide monitoring and control signalling along pipelines without additional wires or fibre optic cables. They also wanted to communicate with maintenance robots operating inside pipelines. Three methods were developed at the time: (b) use the pipe as a microwave waveguide; (b) mount a smaller pipe in the centre of the pipeline to form a low loss coaxial cable; and (c) use the pipe as a single wire conductor, driven against earth. Each method has its strengths and weaknesses. Methods (a) and (b) rely on the gas being dry to minimise signal loss, whereas method (c) works even if the pipe is full of water, but can only operate a very low data rates.



The possibility of radio signals causing an explosion in a gas pipe is very remote – pipelines generally don't contain an explosive air-gas mixture and low powered transmitters are unlikely to cause arcing or ionise the gas.

Nethercomm plans to improve on this old technology by using the metal gas pipes as waveguides carrying Ultra Wide Band (UWB) transmissions operating at high microwave frequencies.

UWB is an emerging technology being developed primarily for very low power wireless data transmissions over short distances through the air. But UWB may also suit the gas pipe environment because it is broadband and able to cope with the numerous reflections and the complex attenuation characteristics of the far from perfect waveguide.

Although BGP is yet to be tested widely, it has the potential to offer much higher speeds than ADSL, with lower installation costs than cable. Interference levels are expected to be much lower than Broadband over powerlines because gas pipes are generally installed underground.

Delivery direct to the customers premises may be a problem in Australia where plastic pipe is often used, and of course you need to have the gas connected! Another option is to use gas mains in each street as a backbone and make the final curb to household link with pole mounted wireless access points, or perhaps use the final gas delivery pipe as a conduit for a fibre optic cable.

A downside to BGP is the likely deluge of bad jokes about bad smelling television programs viewed on gas power TV sets, and the next generation of Broadband over Sewer Pipe. I guess we'll have to wait and see how this pans out!

Mark VK3BYY

## TV & RADIO STATION LIST

A very comprehensive list of the TV and Radio stations in Australia can be found on ACMA's website at the following address:

[http://www.acma.gov.au/ACMAINTER.65640:STANDARD:681668877:pc=PC\\_9150](http://www.acma.gov.au/ACMAINTER.65640:STANDARD:681668877:pc=PC_9150)

List are organised by callsign, frequency, or service area. Beware: the TV station list is 118 pages long, but AM radio is only 6 pages!

## SPIRITED PEOPLE CRAZY CARS - PAJERO CHALLENGE 2006

Over the weekend of February 25<sup>th</sup> & 26<sup>th</sup> the Pajero Four Wheel Drive Club of Victoria held its 9<sup>th</sup> annual Pajero challenge event around the hills of Aberfeldy and Walhalla.

WICEN took part for the 2<sup>nd</sup> time in what has become one of the toughest and most enjoyable activities that WICEN takes part in. Trying to describe the Pajero challenge in a short description is not really something that can be done. The best way of looking at the event is to describe what makes it up.



Take 60 of some of the most highly modified and highly powered street legal four wheel drive vehicles and add into the mix nearly 180 of the most interesting and exciting driver's, navigators and supporters. Give them some tough navigation clues and cryptic tasks as well as a time schedule that sees them driving almost 24hrs non-stop and you have only just described the camp site. The tracks over which the event took place are another story and the degree of difficulty varied from easy to extreme.

The preparation for the event starts many months earlier with the almost top-secret location being discussed. Once we have this information we are able to plan our communications network. However as most amateurs understand you never know till you try it. So about four weeks before the event John VK3ZRV, Andrew VK3HFT, Georgie VK3FHFT and John VK3YD with the aid of Ian Salmon and Dirk Versluys (Pajero Club) did a test run as part of the club's quality assurance process.

We had great success with 6metres on 53.600MHz VK3RMR located on Mt Outlook near Aberfeldy with most of the course able to be covered with just this repeater but as with most things some times hills just get in the way.



It was an especially interesting time of the event when around 2:30 on the Saturday it decided to rain, and not just a light drizzle either. There were parts of the course that I was on that saw water flowing down the tracks as though we were driving through small waterfalls.

This rain forced another test run of sections of the course that were planned for later in the evening. It was during this second test that we were forced to get out the recovery gear and actually winch ourselves up a hill as the tracks had become nothing more than giant slippery slides. However due to good planning and good people the event continued with minor adjustments to the preplanned course notes. Feed back from the Pajero officials and the participants were most gratifying and we were congratulated on a job well done.

NERG members John Weir VK3ZRV WICEN Event Coordinator, Andrew Weir VK3HFT, Georgiana Weir VK3FHFT and Doug Canning VK3JDO took part in the activity, together with the following WICEN members: Gerard VK3GER, Claus VK3AZE, Bruce VK3UV, Peter VK3YG, Ken VK3FKD, Mark VK3XMU, John VK3YD, Ray VK3CRK, Col VK3BLE, John VK3ZRX, John VK3JJB, Graeme VK3BXG, Don VK3DON, and Fred VK3JM.

Should any one have an interest in joining WICEN and/or wish to partake in any events of this kind, please email John Weir at [zzrvelec@bigpond.net.au](mailto:zzrvelec@bigpond.net.au) and we will forward details to you.

Submitted by Andrew Weir VK3HFT

01 March 2006

## LOOKING PHISHY? DON'T TOUCH IT!

The ACMA has renewed calls for consumers to take precautions against 'phishing' as part of a four week campaign by the Australasian Consumer Fraud Taskforce to help people protect themselves from scams.

'Phishing' refers to fraudulent messages usually sent via email (or in some cases a telephone call) and used to gain illicit access to personal and banking information. These messages appear to come from legitimate businesses, most commonly financial institutions. They are designed to lure recipients into disclosing personal data such as bank account numbers, passwords and credit card numbers that are then used to commit fraud. Some messages encourage recipients to visit authentic looking web sites that then infect computers with viruses capable of revealing private file contents or capture passwords.

The Australian Bankers Association has advised that banks and other financial institutions will NEVER initiate a telephone call or email asking for your password, PIN or personal banking details.

The increasing sophistication and intensity of phishing scams means they can all too easily slip under the guard of many computer and internet users. Often, phishing scams originate from overseas and once Australian investors respond and money or personal information has gone offshore, it is extremely difficult to recover or police.

Sophisticated crime gangs employ a range of ploys which appear legitimate, such as asking people to supply personal information in response to warnings about "security and maintenance upgrades", "investigation of irregularities" or "bills or charges due".

ACMA advises that people should not respond to emails asking for confidential information, account details or passwords. Customers should only visit a bank, retailer or credit card website directly by typing a known web site address themselves into their Internet browser – not by clicking links sent to them in emails.

### Seven tips to protect yourself

- 1. Resist your first impulse to hit the 'reply' button.** Never follow the instructions in the email.
- 2. Keep your computer secure:** Some frauds can lure you into opening an email or an attachment that secretly installs a 'trojan' that allows scammers to monitor your computer and access your accounts. Install and keep up-to-date an anti-virus product on your computer, use a personal firewall and remember your best weapon is the 'delete' button.
- 3. Only go to the official website for your financial institution:** Never click on any hyperlink within the email; use your 'favourites' or type a known URL in the address bar of your browser. Avoid using computers at public places, such as internet cafes, for any online banking.

4. **Suspect a scam:** Banks and other financial institutions will never ask for your password, pin number or personal details in an email or telephone call.

5. **For Australian sites, look for the '.au' domain:** such as 'com.au' or 'net.au', but still be suspicious of any link given to you in an email. Your website browser may not read all parts of the link and take you to a false site.

6. **Take a few privacy precautions:** Could someone be recording your keystrokes as you sit down to access your bank accounts in an internet café or public library? Keep private information out of chat rooms or email.

7. **Act quickly if you think you've been conned:** If you receive a suspicious email contact your financial institution or the legitimate organisation being targeted directly. Do nothing about the email. Do not respond to any contact details in the email. If you're still uncertain or if you have sent any details through an email or website, contact your financial institution or the legitimate organisation through their customer support department, and ask them to confirm the email's authenticity. They will tell you what to do next.

ACMA web page:

: [www.acma.gov.au/ACMAINTER.262270:STANDARD:1373741702:pc=PC\\_100458](http://www.acma.gov.au/ACMAINTER.262270:STANDARD:1373741702:pc=PC_100458)

Australasian Consumer Fraud Taskforce: [www.scamwatch.gov.au](http://www.scamwatch.gov.au)

## PORCUPINE RIDGE RadiO

Twelve competitors gave RadiO a go today at the Bush Orienteering season opener near Daylesford. Despite some early drizzle in Melbourne the weather at the event was perfect.

Unfortunately not many attempted the full scale 5 transmitter ARDF event, but a few gave the novel Combo (Fox-or+) course a try. The line distance for the ARDF was 7km, but the quite hilly terrain made for a challenging event. None found all 5 within the 120 minute time limit.

The Combo course (do the Fox-or but also try to find any two ARDF transmitters) was an attempt to give a gradual introduction to ARDF to those already reasonably proficient at Fox-or style events. In the future a Combo course could be rolled into the standard Fox-or, but with bonuses for finding any ARDF transmitters as well.

The hilly terrain also meant many that attempted to do both a Bush-O and a RadiO were just too exhausted. There are two possible future options here. Those attempting both should be actively encouraged to do a shorter bush-O than normal (to have any real chance at the RadiO at all), or we attempt to always offer a Bush+RadiO course that incorporates a suitably short Bush-O only leg (Hageby style). The latter would require allowing Bush+RadiO starts from the same time as Bush-O (10:00am).

Bruce Paterson, Course Setter, [www.ardf.org.au](http://www.ardf.org.au)

## AX3GAMES & AX3MCG ON THE AIR

The two special event stations for the Melbourne Commonwealth Games began their month-long activation period last week and are attracting plenty of interest.

A dozen Amateur Radio Victoria members have so far volunteered to join the AX3GAMES roster and only a hand-full of days remain vacant. The roster is still being updated and can be read in the Members Only section of the AR Vic website.

All are ready to make plenty of contacts that will qualify for a special commemorative QSL card. See QSL info at QRZ.COM

While AX3GAMES and AX3MCG are the only official special event callsigns issued by the ACMA, it has also released the alternative AX prefix for use by all VK stations during the games period 1-31 March, 2006

Amateur Radio Victoria, [arv@amateurradio.com.au](mailto:arv@amateurradio.com.au)

Website: [amateurradio.com.au](http://amateurradio.com.au)

WIA broadcast each Sunday 11am and 8pm

80m - 3615kHz, 40m - 7085kHz, 10.130 USB,

VK3RML Mt Dandenong 146.700, VK3RMM Mt Macedon 147.250,

VK3RMU Mt St Leonard 438.075

## 2006 AMATEUR RADIO EVENTS

### MARCH

1-31<sup>st</sup> Special event callsigns AX3GAMES & AX3MCG for Melbourne Commonwealth Games. QSL via VK3WI.

04-05 ARRL International DX contest, SSB

04-05 Open Ukraine RTTY Championship

11-12 RSGB Commonwealth contest (BERU) CW

11 QRP contest, CW

18-19<sup>th</sup> John Moyle Memorial Field Day, noon Saturday to noon Sunday

18-19 Russian DX contest, MIX

19 9K Contest, MIX

25-26 CQ WW WPX contest, SSB

### APRIL

All Special event station SP0TPAX celebrating the first contact with a ham station outside Poland in 1925.

1-2 SP DX (Polish) contest, MIX

1-2 EA RTTY Contest, RTTY

2<sup>nd</sup> Daylight savings ends – local time revert to UTC+10 hours

7-9<sup>th</sup> WICEN support for OXFAM trail walker event held in the Yarra Ranges.

08 EU Sprint, CW

9<sup>th</sup> Eastern & Mountain District Radio Club White Elephant

08-09 Japan International contest, CW

15 EU Sprint, SSB

15 ES open HF Championship, MIX

15 The Holyland DX Contest, MIX

15-16 YU DX Contest, CW

18<sup>th</sup> World Amateur Radio Day - Held on the founding day of the IARU in 1925. This year's theme: "Amateur Radio: A gateway to information and communications technologies for today's youth".

22<sup>nd</sup> International Marconi Day

23<sup>rd</sup> WICEN comms support for the Mad Bike Ride.

22-23 SP DX RTTY Contest, RTTY

22-23 DX Colombia International Contest, MIX

29-30 Helvetia Contest, MIX

### MAY

TBA Moorabbin District Radio Club Hamfest

13<sup>th</sup> VK/Trans-Tasman Contest 80m Phone, Further information – [vktasman@hotmail.com](mailto:vktasman@hotmail.com)

27<sup>th</sup> VK/Trans-Tasman Contest 80m CW - 27<sup>th</sup> (as above)

28<sup>th</sup> WICEN - Eildon motorbike Nav Rally

### JUNE

10-11<sup>th</sup> ANARTS W/W RTTY Contest

### JULY

6-7<sup>th</sup> Marconi Centenary of first wireless transmission

Geelong Amateur Radio Club setting up a station at

Queenscliff and North West Tasmania Amateur Radio

Interest Group setup Western Devonport Maritime Museum.

8<sup>th</sup> VK/Trans-Tasman Contest 160m Phone

8-9<sup>th</sup> GippsTech 2006 - A premier technical conference for radio amateurs with a focus on VHF, UHF and Microwave topics. [www.qsl.net/vk3bez](http://www.qsl.net/vk3bez)

22<sup>nd</sup> VK/Trans-Tasman Contest 160m CW

### AUGUST

7-11<sup>th</sup> 13th IARU Region 3 Conference, Bangalore, India

12-/13<sup>th</sup> Remembrance Day Contest

19-20<sup>th</sup> International Lighthouse and Lightship Weekend ([illw.net](http://illw.net))

### OCTOBER

21-22<sup>nd</sup> JOTA and JOTI

29<sup>th</sup> Daylight savings starts in Vic/NSW/SA/Tas

Local time = UTC+11 hours.

### NOVEMBER

5<sup>th</sup> Ballarat Amateur Radio Group Hamfest

Ian McDonald VK3AXH [vk3axh@barg.org.au](mailto:vk3axh@barg.org.au)

Confirm details closer to the posted date – some will change.

Gathered from AR Vic, WIA, ARRL and various clubs.

**di riccardos**

woodfire pizza & gourmet pasta

**81 Main Road, Lower Plenty Ph: 9434 5793**

- ★ **Wood Fired Pizza Oven**
- ★ **Gourmet Pasta**
- ★ **Meat and Seafood dishes**
- ★ **Relaxed and Friendly atmosphere**
- ★ **Comprehensive wine list and BYO**

**Proud sponsors of the NERG - making our meetings even more enjoyable!**

*Check out the entertainment and special events such as Italian cooking classes at Di Riccardos web site:*

**[www.margheritas.com.au](http://www.margheritas.com.au)**

**2006 ARDF CALENDAR**

Events come from the ARDF web site – please check for updates and further details at [www.ardf.org.au](http://www.ardf.org.au)

FoxHunt = Friday night or weekend daylight mobile hunt.

RadiO = a simplified direction finding competition usually held at an orienteering event.

Inter means International event.

Type	Date	Event
Other	Sat 18/19 March	John Moyle Memorial Field Day
FoxHunt	Fri, 24 March	Foxhunt
Inter	Fri, 7 April	2006 US ARDF Championships
Other	Sun, 9 April	EMDRC White Elephant
RadiO	Sun, 14 May	RadiO & Mothers Day Special, St Helena
FoxHunt	Sat, 15 April	Urunga Convention and Foxhunts
FoxHunt	Sun, 16 April	Urunga Convention and Foxhunts
FoxHunt	Fri, 21 April	Foxhunt
FoxHunt	Sat, 6 May	Foxhunting Victorian Championships
FoxHunt	Fri, 19 May	Foxhunt

FoxHunt	Sat, 10 June	Mt Gambier Convention
FoxHunt	Fri, 16 June	Foxhunt
RadiO	Sun, 25 June	RadiO & Tooroorong Sunday Special
Other	Sat, 8 July	Gippstech
RadiO	Sun, 16 July	Birrarung Park Special & RadiO
FoxHunt	Fri, 21 July	Foxhunt
RadiO	Sun, 6 August	Eureka Club & RadiO
FoxHunt	Fri, 18 August	Foxhunt
RadiO	Sun, 3 Sept.	Eureka Club & RadiO
		- an optional low-key training event.
Inter	Tue, 12 Sept.	ARDF World Championships in Primorsko, Bulgaria till 17 Sept.
FoxHunt	Fri, 15 Sept.	Foxhunt
RadiO	Sun, 1 Oct.	Albert Park Sunday Special & RadiO
RadiO	Sun, 15 Oct.	Emerald Sunday Special & RadiO
FoxHunt	Fri, 20 Oct.	Foxhunt
Other	Sat, 21 Oct.	JOTA
Other	Fri, 17 Nov.	Foxhunt
RadiO	Sun, 19 Nov.	Macedon, BK, OV Presentations, with special teams event.
FoxHunt	Fri, 15 Dec.	Foxhunt

**The NERG Inc.** RegNo A0006776V <http://nerg.asn.au>

The North Eastern Radio Group, Inc. is an amateur radio club devoted to encouraging members and others to enjoy the hobby of amateur radio. It tries not to hang on ceremony and endless reporting but rather participate in the fun aspects of this fascinating hobby.

**Membership Fees (due each August):**

**Full: \$30 Family: \$40 Concession: \$20**

**Send to: NERG Treasurer, PO box 270, Greensborough, Vic., 3088**

**Committee**

President	Greg Williams	VK3VT	9432 0563
Secretary	John Weir	VK3ZRV	9431 0667
Treasurer	Marg Baxter	VK3VOJ	9467 1253
Committee	Betsy King	VK3HBK	
	David Aston	VK3THY	
	Peter Cosway	VK3DU	9379 3626
Repeaters	Mark Harrison	VK3BYY	9435 3043

**Meetings**

2nd Thursday of each month at 7.45 PM (excepting Dec. & Jan.)  
Briar Hill Community Hall, 126 Mountain View Road, Briar Hill  
(Near Sherbourne Road intersection) Melway map ref 21-C3

**Classes**

NERG occasionally runs classes and exams for Amateur licenses

**Callsigns and Repeaters (25km North East of Melbourne)**

Club call - VK3CNE <http://www.qsl.net/vk3cne>

6m rpt VK3RMH FM 52.550 MHz in 53.550 MHz out

70cm rpt VK3RMH FM 433.325 MHz in 438.325 MHz out

IRLP node 6350, EchoLink node 140587

6m beacon VK3RMH CW 10 Watts 50.295 MHz –Off air

10m bec'n VK3RMH CW 20Watts 28.2565 MHz

**Packet Radio VK3CNE2m 144.700 MHz, 1200 bps**

**VK3CNE-1 for mail etc; VK3CNE-7 for the DX Cluster.**

Occasionally home to the Scout Radio & Electronics Group repeater:

2m VK3RSR FM 146.375 MHz in 146.975 MHz out

**NETS**

NERG NETS run on 146.575 MHz FM Simplex (8.30 – 9.30 pm Thursdays). Please join the discussions. NERGs often monitor this frequency and the 70cm VK3RMH repeater.

**WEB Sites:** <http://nerg.asn.au> and <http://www.qsl.net/vk3rmh>

**NERG NEWS submissions and comments invited:**

editor: Mark Harrison VK3BYY

ph: 9435-3043 hm

post: 266 Nell Street West, Watsonia, 3087

email: [news@nerg.asn.au](mailto:news@nerg.asn.au)



**NERG**

North-East Radio Group VK3CNE

NERG Incorporated 1985  
BOX 270 GREENSBOROUGH VIC 3088

STAMP

**NEXT MEETING:**

**7:45pm Thursday 9<sup>th</sup> MARCH 2006**

**Visit by Mayor Wayne Philips; More on ARISS; Last minute field day plans**

**2006 CALENDAR (NERG ACTIVITIES IN BOLD TYPE)**

All March Special event callsigns AX3GAMES & AX3MCG for Melbourne Commonwealth Games  
All VKs may use the AX prefix during March.

**Mar 9 NERG Meeting – 7:30pm – Various Topics (see inside!)**

Mar 24 Friday night mobile foxhunt – run by the VK3VT team

**Mar 18/19 John Moyle Memorial Field Day – NERGs at Mount Macedon Camels Hump hill.**

**Mar 29(?) (Tentative) ARISS – Space Station contact with Briar Hill Primary (details inside)**

Apr 2 Daylight Savings ends

**Apr 6 NERG Meeting – NOTE: One week earlier than usual !!!**

Apr 9 EMDRC White Elephant Sale