



JULY 2004

NERG Inc.
PO Box 270
Greensborough
Victoria 3088

WHAT'S ON THIS MONTH -

David VK3THY gave an excellent demonstration of Packet Radio a few months ago although unfortunately the NERG packet system wasn't quite ready at the time. Now that VK3CNE is up and running on 144.700 Mhz we've invited David back to give a demonstration of what it can do.

As usual, NERG welcomes visitors. Hot drinks and bikkies will be available for a gold coin donation.

SUMMARY OF THE JUNE MEETING

In June we were treated to an excellent presentation on the DX'pedition to Baudin Rocks off the coast of South Australia last Easter. Presenters Peter VK3QI, Jack VK3WWW, and Keith VK3FT set a new level of multimedia excellence with slide shows explaining the how's and why's of the DX'pedition, followed by Jack's video giving a clearer idea of how the dx'pedition came together and what the conditions were like on the island.

This is obviously not a trivial exercise, and our speakers explained why they chose certain equipment and antennas based on their earlier expeditions. Various items that made the event a success were handed around – from little things like plastic stoppers that prevent table legs sinking into the sand, and the extra mains cable RF chokes that eliminated interference from the generators. Their tips on the home made bandpass filters* that eliminated local QRM will be most usefull on our next NERG field day.

For those interested there is a DVD circulating around the club with videos of this and previous DX'peditions mounted by the group.

By coincidence a 5 page article on the teams trip to Waldegrave Island appeared in the June issue of Amateur Radio magazine and is well worth a read.

* Information on the bandpass filters can be found in the ARRL handbook. Look for 3-pole band pass HF filters designed by W3NQN – especially those using tapped bi-filar wound toroids.

NEXT MONTH

August is the month for our Annual General Meeting and membership renewals. Get your grievances and good ideas in at least a week before the meeting so they can be added to the AGM agenda. Nominations for committee will be accepted on the night.

Once the formallities are dispatched in usual NERG double quick time we expect there will be plenty of time for the traditional NERG birthday party with birthday cake, snacks and hot beverages.

NERG NEWS

Incorporated 1985 in Victoria
Reg No A0006776V - <http://nerg.asn.au>

7.45 pm, Thursday
8th July 2004
Briar Hill Primary
More on using VK3CNE Packet



Map showing the distribution of NERG members around Melbourne

Maintain your spot on the map by re-renewing memberships this August!
(Fees and address are on the back page)

TUESDAY MORNING TEA GROUP

An excellent morning tea/lunch was held at VK3EWM, Gerhard's QTH. Present were John VK3ZRV, Steve VK3JSE, Greg VK3VT and Ernie VK3CEW. VK3DBQ was unwell and unable to attend but I am now reliably informed that the apple strudel served was best ever made. The discussion was of technical nature and enjoyed by all.

The next meeting will be at the home of Jim VK3DBQ and Marg VK3VOJ, on Tuesday the 27th July at around 10.00am.

(The Morning Tea Group is held every 4th Tuesday of the month - listen out for Jim VK3DBQ on the NERG net 146.575 MHz for the location or call him on 9467 1253).

PHOTOS FROM MT GAMBIER

As usual the weather was cool, wet and windy, but that didn't deter the dedicated band of Melbourne amateurs that went to Mt. Gambier (SA) for the annual SERG convention.

Many went for the Australian Foxhunt Championships, whilst others went to catch up with old friends and peruse the hamfest.

Here are a few photos from Mt Gambier via John VK3ZRV.



Local amateur Bevin, VK5TV, and XYL preparing for a foxhunt



Country NERG member Mark VK3LI, and NERG president Greg VK3VT meet up at the mount.



Doug VK3JDO admiring new candidates for his mobile antenna farm



Now which frequency is the next hunt on ???



This solidly made power supply featured in the home brew competition

GIPPSLAND GATE HAMFEST

Gippsland Gate Radio & Electronics Club Hamfest – is to be held on Saturday July 17th at the Cranbourne Public Hall, cnr. Clarendon & High Streets, Cranbourne (Melways 133 K4) (High street is part of Sth Gippsland Highway)

40 indoor tables of new and used equipment and parts.

Free Tea & Coffee all day.

Food available on-site

12 channel GPS as door prize.

Opens 8:30 for sellers, 10:00 for buyers.

\$5.00 entry

Contact: Dianne Jackson VK3JDI (03) 5625 2545 (before the event)

WEB SITE OF THE MONTH

by John VK3BIZ

What I thought I'd do with this column is highlight a web site that may be of interest to amateur radio hobbyists. This month we'll start with Circuit Sage.

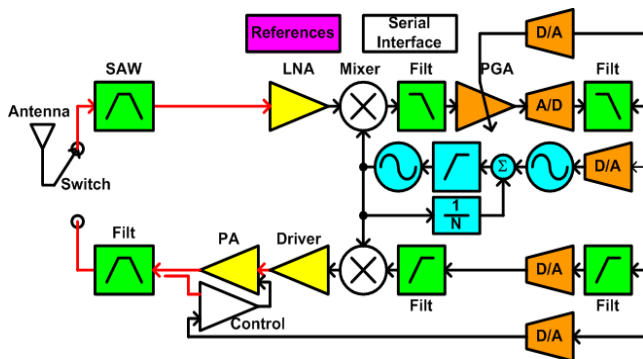


<http://www.circuitsage.com> is a wonderful resource for people interested in radio design. It includes links to a wide variety of design software.

Subject areas include:

- New Routines (A list of new additions to the site)
- A/D design
- Band Gap design
- Filter design
- Impedance Matching
- Inductor design
- LNA/PA Design
- PLL Design
- Transceiver Design
- Transmission Line design

Each subject heading includes a listing of commercial and free software available on the web, as well as design articles, book references and other useful links. The site has a number of free design programs to run under MathCad. These are really intended for the professional engineer as the MathCad package costs several thousand Dollars in Australia and is unlikely to be accessible to the average hobbyist. There is a free MathCad file viewer available on the net. Never the less there are a lot of other free software design packages to check out.



Circuit Sage provides tools and links to all the information needed to design a complete digital radio like the one above!

I discovered the Circuit Sage web site when looking for strip-line design software for PCB mounted antennas for the 915-928 MHz ISM band. One piece of software that looked particularly interesting was the Arpeggio, full-wave EM simulator. Arpeggio is a Time-Domain full-wave EM simulator. It solves the Maxwell Equations in time domain and finds the desired frequency quantities via Fourier Transform. It is designed to calculate the electro magnetic distributions for arbitrarily shaped conductors and strip lines at different frequencies.

Circuit sage is definitely a site that you could spend weeks exploring, downloading software, and reading articles. It is really a bit hard to do justice to in this short article. There is a mailing list associated with the web site for discussions on analogue and digital RF circuits.

John VK3BIZ

TEACHER ARRESTED !!!

At New York's Kennedy airport today, an individual later discovered to be a University Lecturer, was arrested trying to board a flight while in possession of a ruler, a protractor, a set square, a slide rule, and a calculator.

At a morning press conference, Attorney general John Ashcroft said he believes the man is a member of the notorious al-gebra movement. He is being charged by the FBI with carrying weapons of maths instruction.

"Al-gebra is a fearsome cult," Ashcroft said. "They desire average solutions, by means and extremes, and sometimes go off on tangents, in a search of absolute value. They use secret code like 'x' and 'y' and refer to themselves as 'unknowns', but we have determined they belong to a common denominator, of the axis of medieval, with coordinates in every country.

As the Greek philanderer Isosceles used to say, 'there are 3 sides to every triangle'."

When asked to comment on the arrest, President Bush said, "If God had wanted us to have better weapons of maths instruction, He would have given us more fingers and toes."

FOXHUNTING IN THE NEWS...

No – not chasing furry little creatures but bigger fish !

A few weeks ago our NERG President, Greg VK3VT was interviewed for a feature article on the Friday Night foxhunts. The article by Daniel Ziffer appeared on June 20 in the Sunday Age, and contained classic quotes such as: "Shocked pedestrians look on and bemused drivers move aside as radio enthusiasts in four-wheel-drives topped with rotating antennas hunt their prey. They are "fox hunting", leading the charge in a frequency-dependent game occurring monthly in the darkness of the suburbs".

I'm not sure that pedestrians are usually all that shocked (just bemused), and rarely do drivers get out of the way (they usually want to know which TV channel you are watching!). Otherwise, the VT team must have been on their best behaviour – no mention of motion sickness, and mainly complimentary words on their ability of tracking down the fox. It was an interesting piece and may help to raise the profile of this aspect of amateur radio. Well done guys.

Friday Night hunts are run on 2metres every 3rd Friday. Join the melb-fox news list for up to date information.

ARDF AND MELB-FOX LISTS MOVE

The ardf email newslst provides a forum for exchange of information and news on Amateur Radio Direction Finding issues and events. Likewise the Melb-Fox list specialises in the Melbourne Friday Night foxhunts. Information on these newslsts is generally a lot more up to date than either the ARDF or foxhunt web sites.

The host for the ardf newslst recently moved from **mars.planet.net.au** to: **lists.id.oz.au**

The new server hosts these news lists:

melb-fox
melb-ardf
melb-fox-ardf

Information on joining these lists can be found at:
<http://lists.id.oz.au/wws/info/ardf-list>
<http://lists.id.oz.au/wws/info/melb-fox>

ARDF EVENTS CALENDAR

- July 2004 Mongolia International, Ulanbaatar
- July 18th Sunday - ARDF/Fox-or combined event with Brimbank MicrO. Adam Scammell VK3YDF
- July 31st Saturday Snow DF - Depends on the snow TBA
- Aug 22nd Sunday - ARDF, Bayside Kangaroos 35th Anniversary event at Ballan, Mike Hubbert
- Aug 22nd-2nd Sept Hungarian Training Camp prior to World Championships. email adam@ardf.org.au
- Aug 27th-29th International Czech Championship
- Sept 4th Saturday - Snow DF if July 31st did not occur (due no snow) TBA
- Sept 7th-11th World ARDF Championships - Czech Republic Details <http://www.wch2004ardf.com>
- Sept 26th Sunday - ARDF/Fox-Oring combined with MetrO /MicrO, Graeme VK3ZEO
- Oct 2nd - 3rd Australian ARDF Championships Bruce Paterson VK3TJN
- Oct 13th Wednesday night, Street-O, Dingley Village Night series, starts at end of Pethybridge Close Dingley Village, Melways: 88 F6
- Oct 31st Sunday Fox-oring combined with MicrO Championships, Mark Diggins VK3JMD
- Nov 14th Sunday - ARDF/Fox-oring combined with MicrO Relays Darebin Parklands, Bryan Ackerly VK3YNG
- Late November End of year social gathering, meal and results presentations, Adam Scammell VK3YDF

ARDF links: <http://www.ardf.org.au>
Enquiries: Victorian ARDF Group, Bruce 9888 7509

2004 EVENTS

Updated July:

- July 17 **Gippsland Gate Radio & Electronics Club Hamfest**, Cranbourne Public Hall, cnr. High & Clarendon Streets, Cranbourne
- July 17 **VK/ZL Trans-Tasman 160 Metre Phone/CW Contest**, rules: home.iprimus.com.au/vktasman
- July 17 **Gippsland Gate Radio & Electronics Club Hamfest - Cranbourne Public Hall, cnr. High & Clarendon Streets, Cranbourne**
- Aug 6 **QRP Day (CW/FM/SSB)**
- Aug 14-15 **Remembrance Day Contest**
- Aug 21-22 **Lighthouse Activation Weekend.**
- Aug 28-29 **ALARA**
- Oct 2-3 **Rally of Melbourne, Toolangi/Yarra Valley** WICEN event coordinator: Mark VK3XMU ph: 9849 0501
- Oct 2-3 **Oceania DX Contest - SSB**
- Oct 9-10 **Oceania DX Contest - CW**
- Oct 8-11 **World Wide YL Meet** hosted by the Korea Ladies' Amateur Radio Club in Seoul, Korea. Info: Chae Do Sook HL2KDW hl2kdw@hotmail.com
- Nov 13 **VHF/UHF Spring Field Day**
- Nov 27-28 **Kona 24hr Mountain Bike Race, Redesdale** WICEN event coordinator: Gordon VK3FGC ph:5339 2427 Email: Gordon.cornell@bigpond.com 3 checkpoints & net control for event. Info: www.fullgaspromotions.com.au/24hour.html
- Dec 26 **Ross Hull Memorial VHF Contest** (runs until January 10, 2005)

For more international contests see: www.arrl.org/contests
Dates should be independently confirmed.

Collected from AR magazine, WIA Vic, VKham website, Vic ARDF Group, & NERG. For more info: <http://www.vkham.com/contest>, & <http://www.wiavic.org.au>

THE PAOMNNEHAL PWEOR OF THE HMAN MNID

Aoccdrnig to a rscheearch at Cmabrigde Uinervtisy, it deosn't mtttaer in waht oredr the ltteers in a wrod are, the olny iprmoatnt tihng is that the frist and lsat ltteer be in the rghit pclae. The rset can be a taotl mses and you can sitll raed it wouthit porbelm. Tihs is bcuseae the huamn mnid deos not raed ervey lteter by istlef, but the wrod as a wlohe.

Amzanig huh?

Of caosre the toehry dosen't alppy to the sneding of Mrose Cdoe, desipte the bset eorffts of thanousds of ameuatr riado exam cadaditnes!

The NERG Inc. Reg No A0006776V <http://nerg.asn.au>

The North Eastern Radio Group, Inc. is an amateur radio club devoted to encouraging members and others to enjoy the hobby of amateur radio. It tries not to hang on ceremony and endless reporting but rather participate in the fun aspects of this fascinating hobby.

Membership Fees (due each August):

Full: \$30 Family: \$40 Concession: \$20

Send to: NERG Treasurer, PO box 270, Greensborough, Vic., 3088

Committee

President	Greg Williams	VK3VT	9432 0563
Secretary	John Weir	VK3ZRV	9431 0667
Treasurer	Marg Baxter	VK3VOJ	9467 1253
Committee	Betsy King	VK3HBK	
	Peter Cosway	VK3DU	9379 3626
	Mark Beacham	VK3XXX	0417-597399
Social Sec.	Don Haslam	VK3KDT	0409 024597
Repeaters	Mark Harrison	VK3BYY	9435 3043

Meetings

2nd Thursday of each month at 7.45 PM (excepting Dec. & Jan.)
Briar Hill Primary School, Gladstone Rd, Briar Hill (off Sherbourne)
(Melway map ref 21-B1)

Classes

NERG occasionally runs classes and exams for Amateur license candidates.

Callsigns and Repeaters (25km North East of Melbourne)

Club call - VK3CNE <http://www.qsl.net/vk3cne>

6m rpt VK3RMH FM 52.550 MHz in 53.550 MHz out

70cm rpt VK3RMH FM 433.325 MHz in 438.325 MHz out

IRLP node 6350, EchoLink node 140587

6m beacon VK3RMH CW 10 Watts 50.295 MHz - Intermittent

10m bec'n VK3RMH CW 20Watts 28.2565 MHz

Occasionally home to the Scout Radio & Electronics Group repeater:

2m VK3RSR FM 146.375 MHz in 146.975 MHz out

NETS

NERG NETS run on 146.575 MHz FM Simplex (8.30 - 9.30 pm Thursdays).

Please join the discussions. NERGs often monitor this frequency and the 70cm VK3RMH repeater.

WEB Sites: <http://nerg.asn.au> and <http://www.qsl.net/vk3rmh>

NERG NEWS submissions and comments invited:

editor: Mark Harrison VK3BYY

ph: 9435-3043 hm (between 7.30-9.30 p.m. please)

post: 266 Nell Street West, Watsonia, 3087

email: vk3byy@nerg.asn.au



NERG

North-East Radio Group VK3CNE
NERG Incorporated 1985
BOX 270 GREENSBOROUGH VIC 3088

STAMP

NEXT MEETING:

7:30 PM Thursday 8th July 2004 – Using the NERG VK3CNE Packet System

2004 CALENDAR (NERG ACTIVITIES IN BOLD)

July 8	NERG MEETING – Demonstration of the NERG packet systems VK3CNE at Briar Hill Primary School 8pm
July 17	Gippsland Gate Radio & Electronics Club Hamfest - Cranbourne Public Hall
July 17	VK/ZL Trans-Tasman 160 Metre Phone/CW
July 18 th	Sunday ARDF/Fox-or combined event with Brimbank MicrO. Adam Scammell VK3YDF
July 31 st	Saturday - Snow DF - Depends on the snow TBA
Aug 12	NERG MEETING – AGM, birthday party, Briar Hill Primary School 8pm
Aug 14-15	Remembrance Day Contest – all modes, HF + VHF/UHF
Aug 22 nd	Sunday ARDF, Bayside Kangaroos 35th Anniversary event at Ballan, Mike Hubbert
Sept 9	NERG MEETING – TBA - Briar Hill Primary School 8pm
Sept 26	Sunday ARDF/Fox-Oring combined with MetrO /MicrO, Graeme VK3ZEO